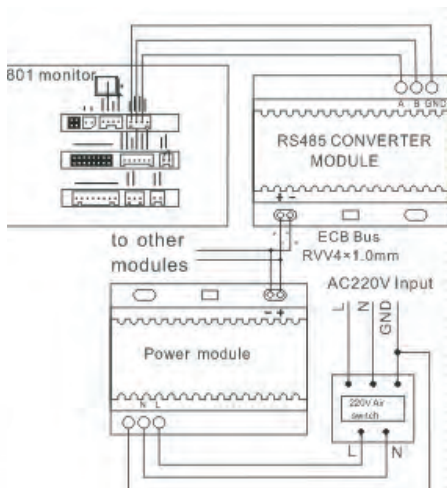




## ECB-485 Module

### Features:

- Interface equipment for ECB bus line transforming to Rs485 bus line, used for connection of ECB bus line with wired intelligent terminal.
- S-ECB-RS485 is the converter module when controlling the system through the monitor in ECB smart home system. It can receive signals from PC and monitor and send the orders.
- Serial port indicator blinks when transmitting the signals.
- Adopt 35mmDIN guide way mounting.



Model	S-ECB-RS485
Working voltage	+26VDC ~ +30VDC
Maximum loaded current	10mA
Operation temperature	-5°C ~ 50°C
Dimension	72×93×60mm

