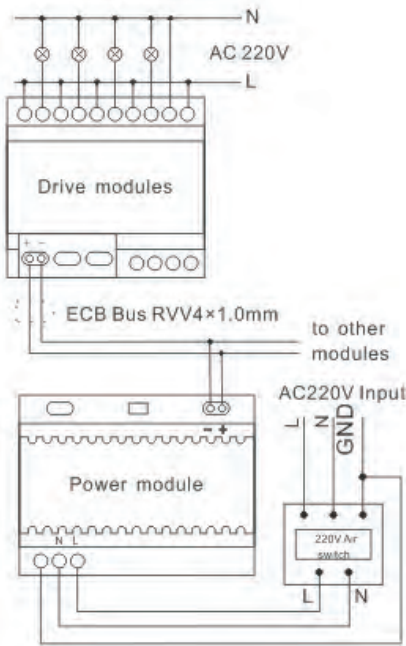


## 4 Channel Controller On / Off Controller

### Features:

- 4 channel on/off control
- Power control for light, socket and any other electrical appliance.  
(power must be within an appointed range)



**Model**

**S-ECB-DN4A**

**Working voltage**

220VAC

**Electric current**

Standby<20mA / working<100mA

**Rated output**

4x220VAC/5A

**Operating temperature**

-5°C ~ 50°C

**Dimension**

144x93x60mm

