

High Speed Dome



Horizontal TV Lines



Color Camera



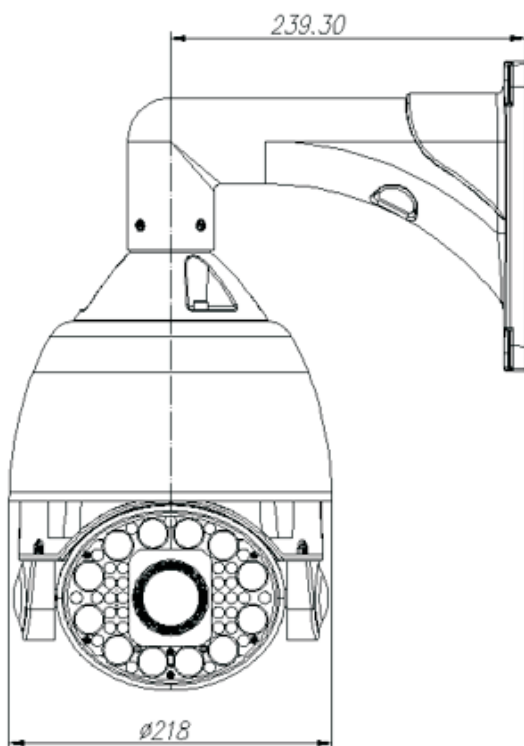
Auto Filter



Weatherproof

Features

- ★ 1/4" CCD Camera
- ★ 540 TV Lines of Horizontal Resolution
- ★ IR Mode - ON/OFF/Auto(Distance-100mts)
- ★ 128 Preset Positions
- ★ 256 Dome ID
- ★ 8 Privacy Zone & 4 Touring
- ★ 2.1 Interlaced Scanning System



Specification

Model	SSD-700P-432DIR
Image Sensor	1/4" Color CCD
Signal System	PAL/NTSC
Horizontal Resolution	540TVL
Minimum Illumination	0.01 Lux (Digital Slow Shutter up) 0 Lux (Night Mode)
PAN/Angle manual speed	0°-360° (Endless) More than 0.5°~300°/sec (Zoom Proportional)
Tilt/Angle manual speed	0~90° More than 120°~1sec (Zoom Proportional)
Baud Rate	1200bps, 2400bps, 4800bps, 9600bps
ID (Camera Address)	0~256 address
Communication	Pelco-P/D(RS-485 Port)
Preset Position	128
OSD	English
IR LED	12 (Very Big) & 30 (Small)
IR Mode	W-T & W/T
IR Switch	Auto/On/Off
Auto Day/Night	On/Off
IR Distance	200mts.
Mirror	On/Off
Aperture	0-15
Exposure Mode	Auto/Shutter/Manual/IRIS/Bright
Backlight	Off/On
Privacy Zone	8
System Act	Power up Act/Leisure Act
Scan	Auto scan, limit scan(speed adjustable)
Tour scan	4 tour, 16 preset position per tour, speed and dwell time can be adjustable
Pattern scan	4 pattern, 15 minutes recording for each pattern
Dwell setup	Home place/autoscan/tourscan/patternscan
Body Type	IP 66
Effective Pixels	752 (H) x 582 (V)
S/N Ratio	50db
Power	AC 24V 50/60HZ 1.5A
Humidity	<90%
Power Consumption	15w - 25w
Operating Temperature	-20°C to 60°C

High Speed Dome Camera (With IR & OSD)