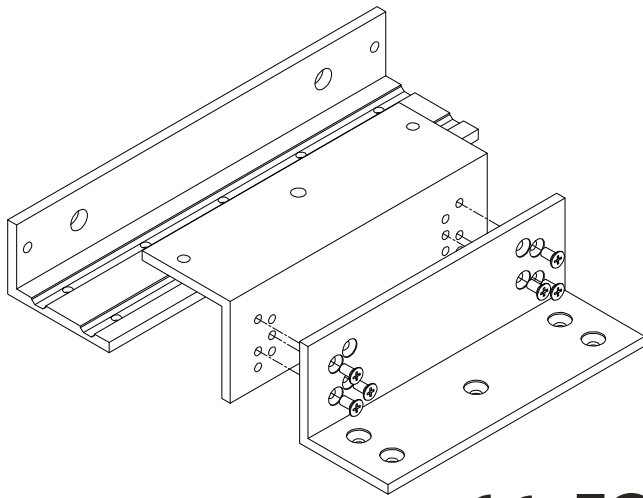


# ZL Bracket



## Features

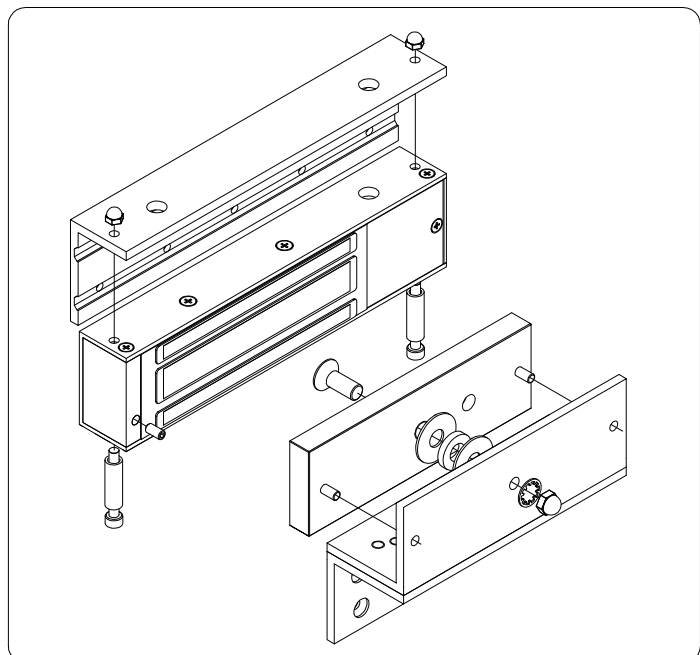
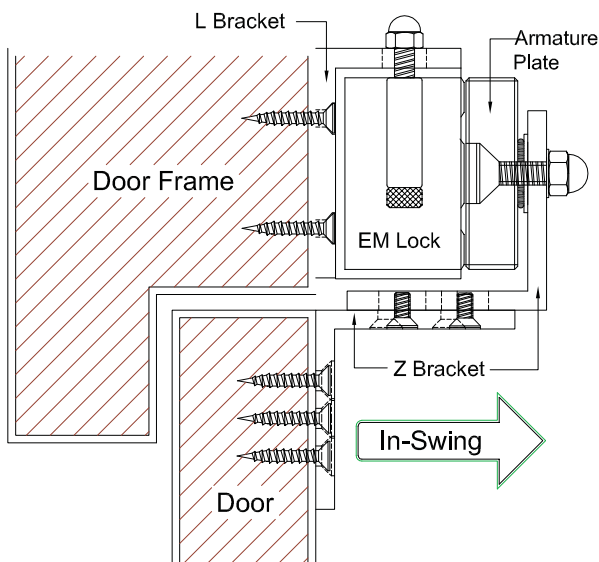
- Suitable for EM Lock
- Suitable for Panic Door, Fireproof Door
- Opening Mode: In/Out-swing Door
- Door Mode: 90° Door
- Finished for Shell: Anodized Aluminum



## Specification

Model	S-SZLB
Material Selection	High Strength Aluminum, Sandblast Finished
Suitable for Door	Fully Frameless Glass
Opening Mode	90 Degree Door
Use with	Magnetic Lock Series of 180Kgs
Finished for Shell	Anodized aluminum
Net Weight	0.378kg

## Bracket Application



ZL Bracket for EM Lock (600lbs)