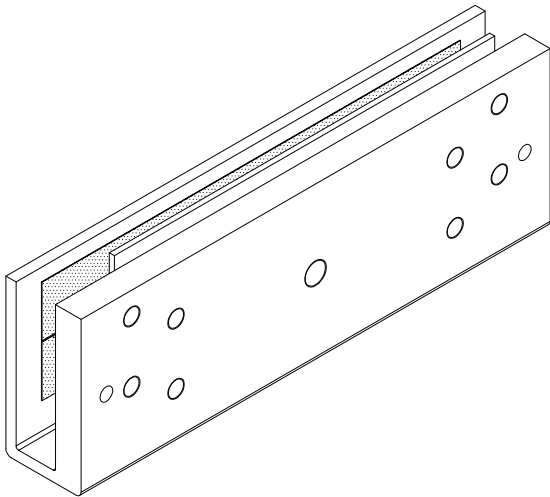


# U Bracket



## Features

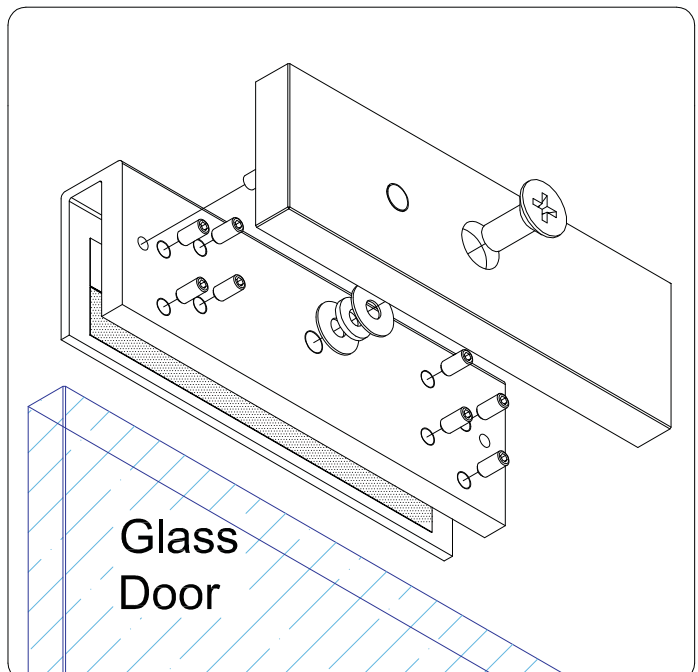
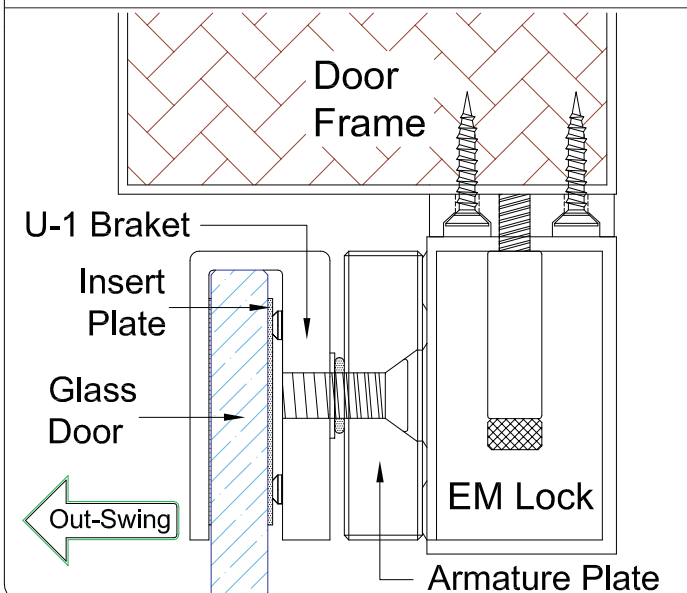
- Suitable for EM Lock
- Suitable for Frameless glass door
- Opening Mode: In/Out-swing Door
- Door Mode: 90° Door
- Finished for Shell: Anodized Aluminum



## Specification

Model	S-SUB
Material Selection	High Strength Aluminum, Sandblast Finished
Suitable for Door	Glass Door (Moving Leaf)
Opening Mode	90 Degree Door
Use with	Magnetic Lock Series of 180Kgs
Finished for Shell	Anodized aluminum
Net Weight	0.242kg

## Bracket Application



U Bracket for EM Lock (600lbs)