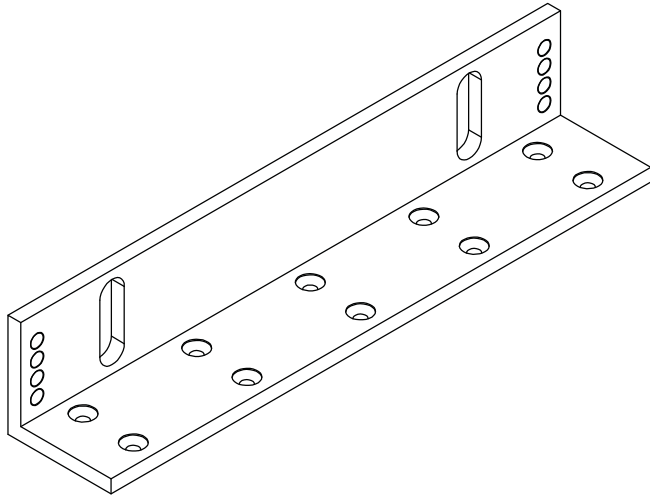


# L Bracket



## Features

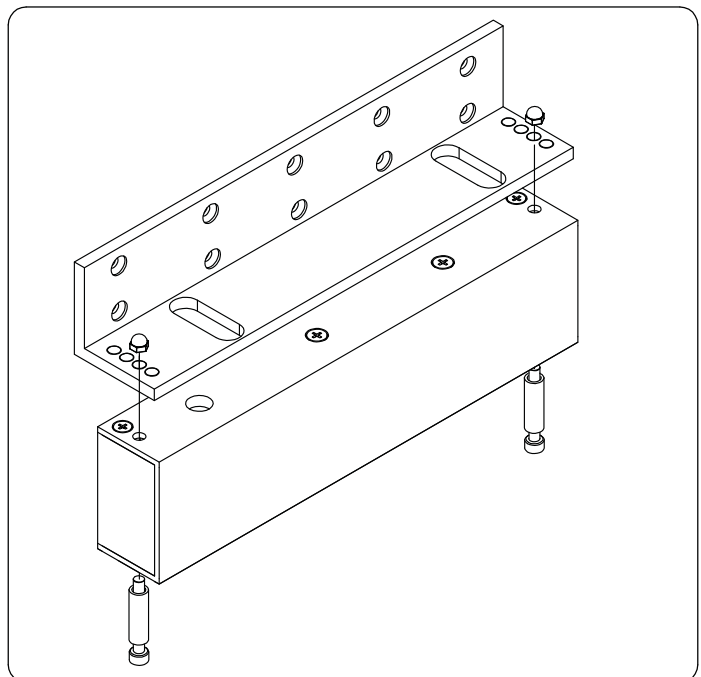
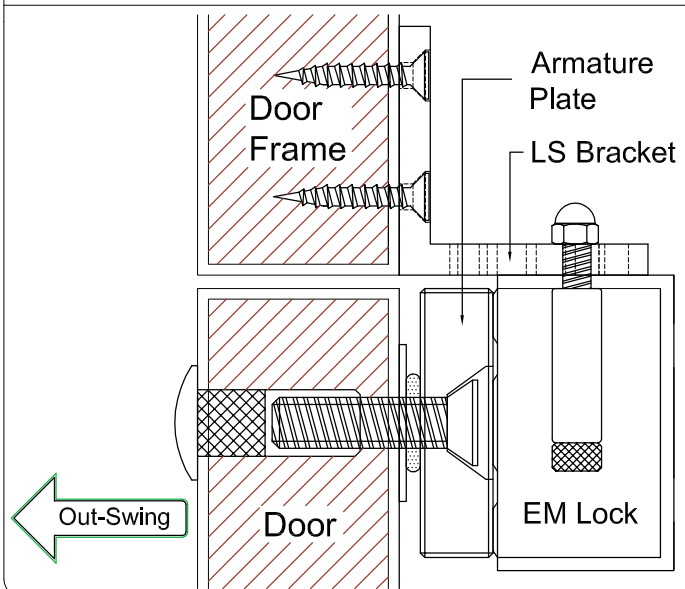
- Suitable for EM Lock
- Opening Mode: In/Out-swing Door
- Door Mode: 90°Door
- Finished for Shell: Anodized Aluminum



## Specification

Model	S-SLB
Material Selection	High Strength Aluminum, Sandblast Finished
Suitable for Door	Small Frame
Opening Mode	90 Degree Door
Use with	Magnetic Lock Series of 180Kgs
Finished for Shell	Anodized aluminum
Net Weight	0.242kg

## Bracket Application



L Bracket for EM Lock (600lbs)